

# Product data sheet

Specifications

SQUARE D

Green Premium™



Power Relay, Type C, 2 HP, 30A resistive at 300 VAC, DPST, 2 normally open contacts, 120 VAC coil

8501CO7V20

Product availability : Stock - Normally stocked in distribution facility

Price\* : 62.22 USD

## Main

Product range	Power Relay 8501C
Product type	Power relay
Short name	type C
[In] rated line current	30 A
Device application	Suited for controlling small single phase motors and other light loads
Switch function	DPST
Contact composition	2 NO
[Uc] control circuit voltage	120 V AC 50/60 Hz
Horsepower rating	2.0 hp
Maximum switching voltage	600 V AC

## Complementary

Class number	8501
Phase	1 phase
Terminal connects	Screw clamp terminal
Wire range	AWG 10 copper
Terminal tightening torque	11...15 lbf.in (1.24...1.69 N.m)
Coil burden	10 VA
Mounting	Panel mounting

## Environment

Ambient temperature range - operational	-22...122 °F (-30...50 °C)
Product certifications	UL listed file E78351 CCN NLDX CSA CE
Height	2.43 in (61.72 mm)
Width	2.5 in (63.50 mm)
Depth	2.25 in (57.15 mm)

\* Price is "List Price" and may be subject to a trade discount – check with your local distributor or retailer for actual price.

## Ordering and shipping details

Category	21131-8501 C
Discount Schedule	CP2
GTIN	785901052258
Returnability	Yes
Country of origin	CN

## Packing Units

Unit Type of Package 1	PCE
Number of Units in Package 1	1
Package 1 Height	3.00 in (7.62 cm)
Package 1 Width	2.50 in (6.35 cm)
Package 1 Length	3.30 in (8.382 cm)
Package 1 Weight	10.24 oz (290.299 g)
Unit Type of Package 2	CAR
Number of Units in Package 2	25
Package 2 Height	4.00 in (10.16 cm)
Package 2 Width	15.80 in (40.132 cm)
Package 2 Length	16.70 in (42.418 cm)
Package 2 Weight	16.77 lb(US) (7.607 kg)

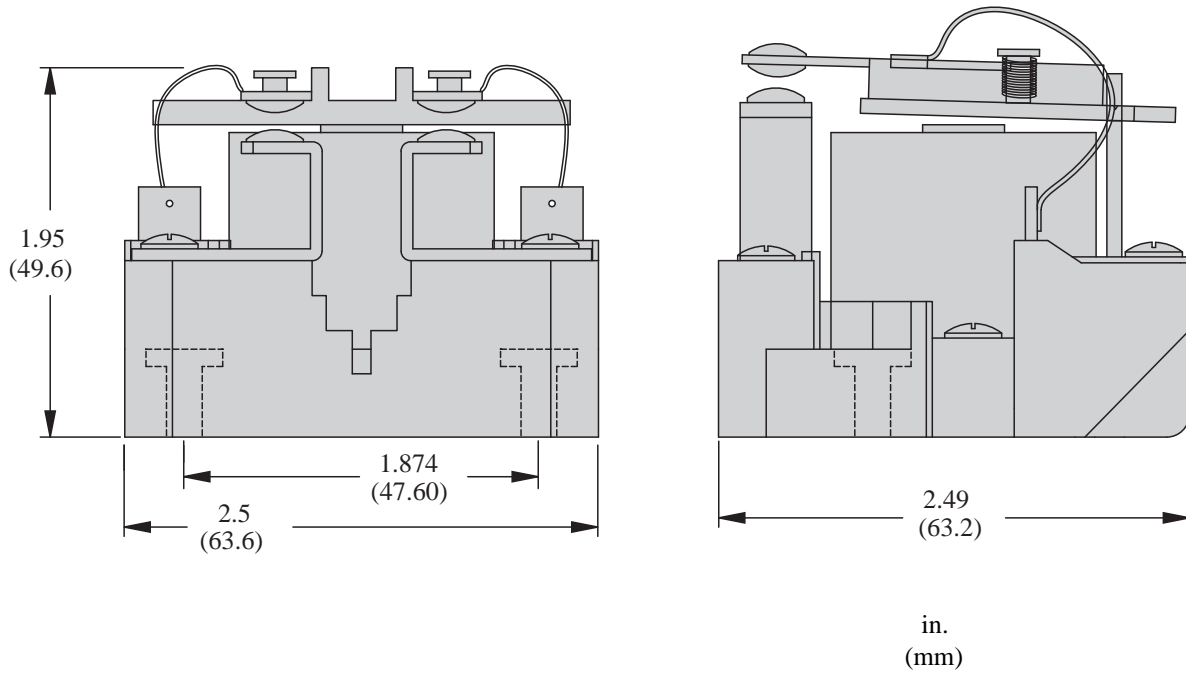
## Offer Sustainability

Sustainable offer status	Green Premium product
California proposition 65	WARNING: This product can expose you to chemicals including: Nickel compounds, which is known to the State of California to cause cancer, and Di-isodecyl phthalate (DIDP), which is known to the State of California to cause birth defects or other reproductive harm. For more information go to <a href="http://www.P65Warnings.ca.gov">www.P65Warnings.ca.gov</a>
REACH Regulation	<a href="#">REACH Declaration</a>
REACH free of SVHC	Yes
EU RoHS Directive	Pro-active compliance (Product out of EU RoHS legal scope) <a href="#">EU RoHS Declaration</a>
Toxic heavy metal free	Yes
Mercury free	Yes
RoHS exemption information	<a href="#">Yes</a>
China RoHS Regulation	<a href="#">China RoHS declaration</a>
Environmental Disclosure	<a href="#">Product Environmental Profile</a>
WEEE	The product must be disposed on European Union markets following specific waste collection and never end up in rubbish bins.

## Contractual warranty

Warranty	18 months
----------	-----------

Dimensions

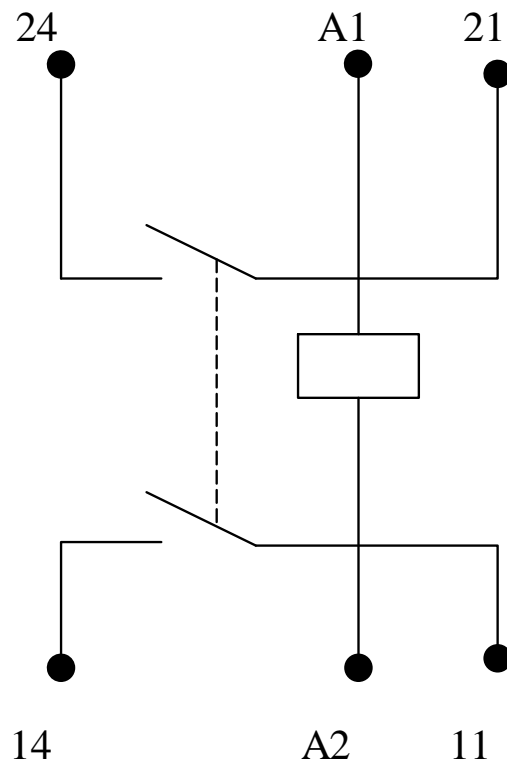


8501CO7  
8501CDO7

All dimensions are approximate.  
Also refer to technical drawings and documentation.

Wiring Diagram

---



(DPST)

8501CO7  
8501CDO7

Recommended replacement(s)